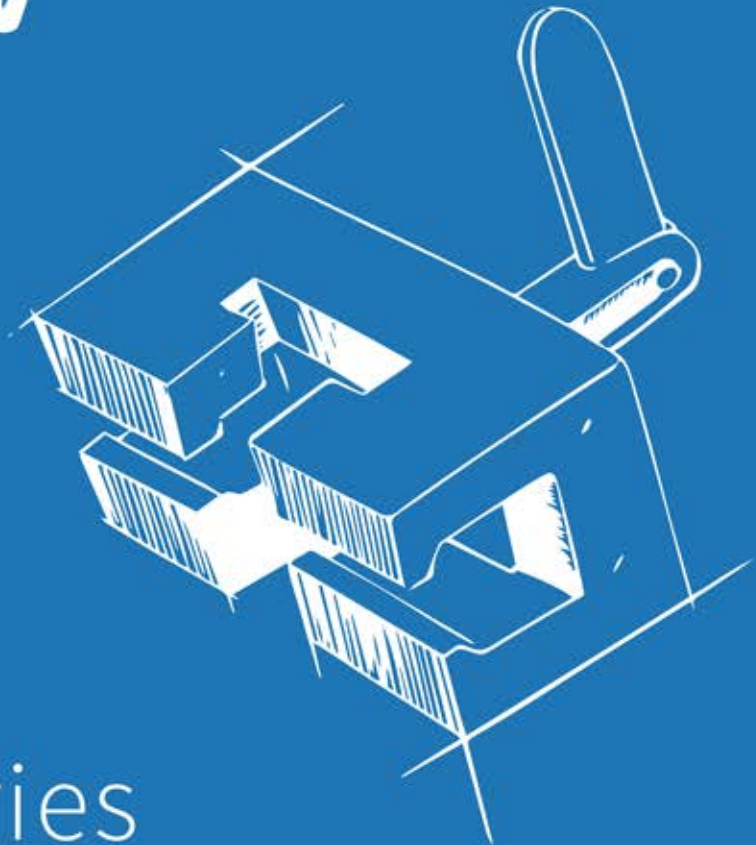
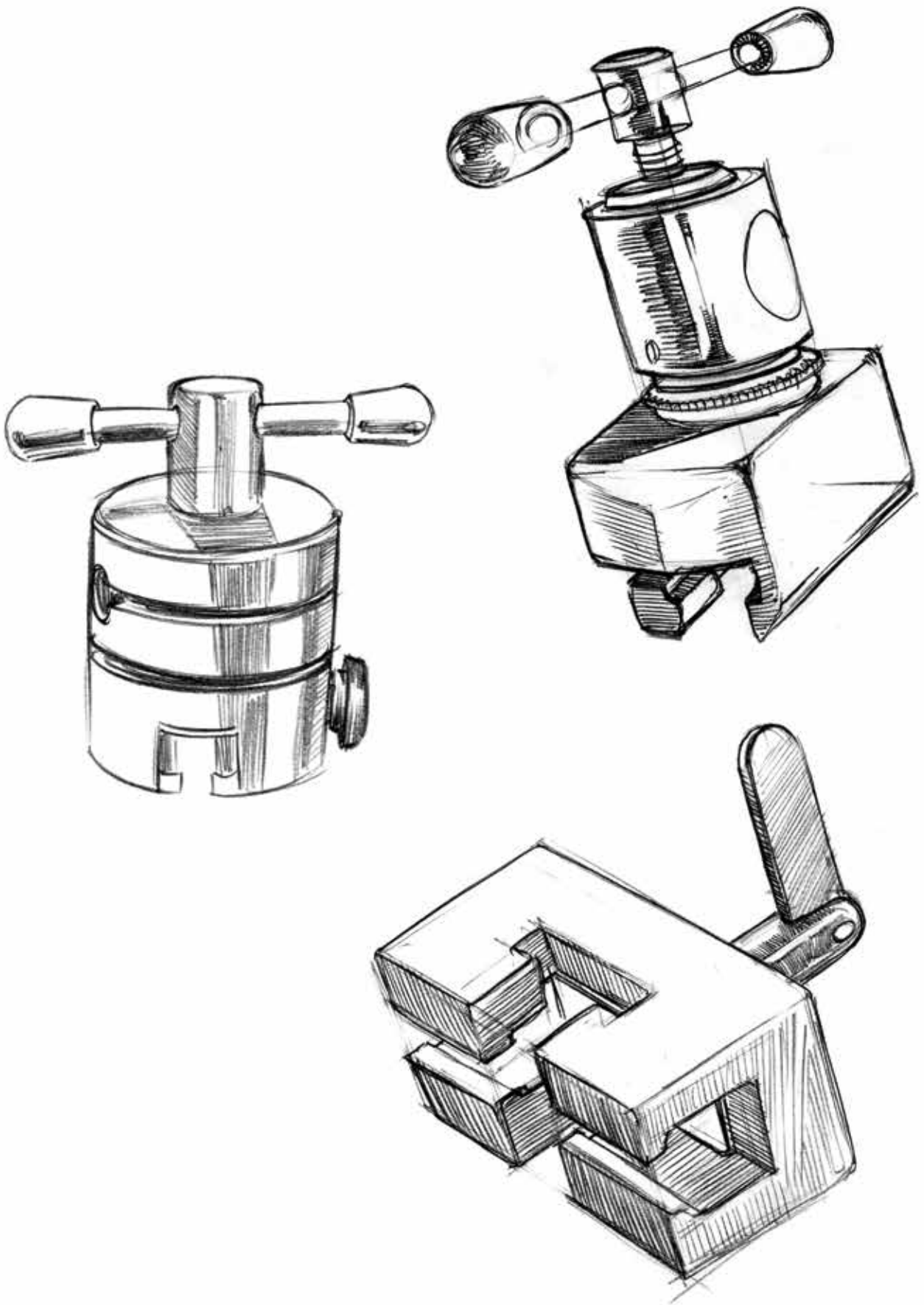




SurgiSystems



Accessories



ACCESSORIES CATALOGUE

Our target is to supply an operating table that fully meets the requirements of every surgical speciality. This has been achieved by setting up a R&D team dedicated specifically to accessories which, thanks to the close collaboration with end users (surgeons, anaesthetists, OR personnel, clinical engineers, etc), updates constantly the range of products, given also the new needs in terms of patient positioning.

This catalogue illustrates the wide range of accessories available for OPT operating tables and for the different specialties. All materials used for the manufacturing of these accessories have been carefully selected and have the same high quality requirements of all OPT products.

Whenever technically possible, the accessories and complementary components are compatible with all our tables models, both with fixed table top or with transferable table tops.

Expertise in drawing, excellent standard of production and rigorous final testing of every component ensure an optimal functionality and safety of use.

Specialized since 1919 we have, over the years, profited from external inputs and ideas, and in turn, we have contributed significantly to the evolution of operating tables.

We continue to invest in progress.



USE OF THE CATALOGUE

This catalogue illustrates the accessories available for OPT tables and for operating systems, divided into different surgical specialties, as well as the accessories dedicated to Anaesthesia.

In the range are also included the accessories dedicated to the specific needs of paediatric surgery, bariatric surgery and radiolucent devices, which are inserted in the different surgical specialties.

For each accessory there is a picture, the OPT code (or codes according to the compatibility with the several OPT table models or to the technical differences such as dimensions, capacity, etc) and technical description.

In order to help looking for the right accessory, at the end of the catalogue there is an index with the indication of the page where this accessory can be found. Moreover, to support the user, it is clearly indicated the compatibility of each accessory to the several OPT tables, besides an essential indication on where to attach it.

INDEX

SURGICAL SPECIALTIES

ANAESTHESIA	5 – 12
GENERAL SURGERY	13 – 22
GYNAECOLOGY – UROLOGY – PROCTOLOGY	23 – 28
VASCULAR	29 – 32
ORTHOPAEDICS – TRAUMATOLOGY	33 – 48
ENT – NEUROSURGERY	49 – 58
GEL PADS	59 – 62
INDEX	63 – 71



ANAESTHESIA



ANAESTHESIA SCREEN

- 9903001** For OPT 20 - 30/1 - 40/1 - 70 - 80
- 9903005** For OPT 90 - 100
- 9903007** For CENTURY - VANTO - ASSO - VITA

Height adjustable, tiltable, with 2 lateral extension bars, with security system. Complete with clamps.



L-SHAPED ANAESTHESIA SCREEN

9903003

Height adjustable, tiltable, with rubber patient protection and security ring, complete with 2 lateral extension bar.

To be used with clamp to be ordered separately (advised code 9901023).



FLEXIBLE SCREEN

9903009

With frame adjustable from 1.400 to 1.900 mm.

To be used with n. 2 clamps to be ordered separately.



SUSPENDED ARM STRAP

9906801

Made of washable tissue, having 100 mm width to be attached to anaesthesia screen for the suspension of patient's arm.

Advised quantity 2 pieces.

BODY/LEG STRAP

- 9914001** Standard - Width 60 mm
- 9914008** For bariatrics - Width 150 mm

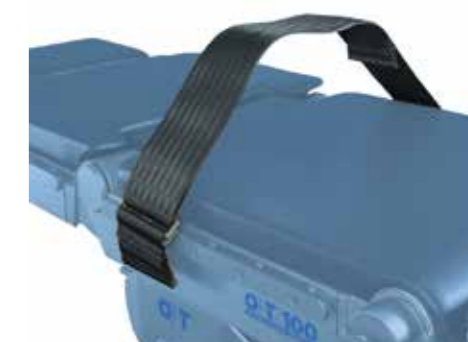
Padded and washable belt, length adjustable, with security and breaking system. Complete with clamps.



BODY/LEG STRAP

- 9914009** For OPT 20 - 30/1 - 40/1 - 90 - 100 - ASSO - CENTURY - VANTO - VITA

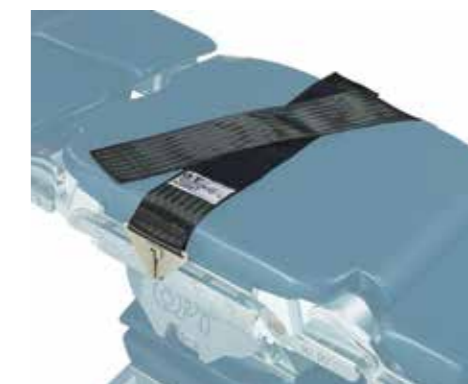
Width 100 mm and washable, with clips for attaching onto the side rails adjustable in its length. With anti fall system.



BODY / LEG STRAP WITH VELCRO CLOSURE

- 9914012** For OPT 20 - 30/1 - 40/1 - 90 - 100 - ASSO - CENTURY - VANTO - VITA

With clips for attaching onto the side rails with locking system, detachable in two section. Washable, width 100 mm.



SINGLE LEG STRAP

9914005

Advised for laparoscopic surgery. Washable, with velcro closure. Suitable for divided leg section. Complete with clip for attaching onto side rail.

Advised quantity 2.





SINGLE LEG STRAP

9914011

Washable, with velcro closure. Suitable for divided leg section.
Advised quantity 2.



LEATHER WRISTLET

9915001 Standard
9915003 Paediatric
9915005 For bariatrics

Washable, with velcro closure, padded and complete with clamp.



WRIST SUPPORT

9915002 Standard
9915002P For operating tables with viscoelastic cushions

Complete with fast-frontal locking clamp to be placed onto side rail to keep the arm parallel to the body. Made of washable cotton, with velcro closure, length: 100 mm.



ARM PROTECTOR

9915004 Adults- Length 400 mm and height 130 mm
9915006 Paediatric - Length 300 mm and height 100 mm

Acrylic material plate, easy to install, used for placement/protection of patient's arm, which is protected safely and in an anatomically correct way.

INFUSION ROD

9916002

Can be tilted to maintain the vertical position, height adjustable (from 800 mm to 1500 mm), complete with hooks and clamp.



PAEDIATRIC ARM SUPPORT

9906012 Paediatric - Dimensions: 260 x 100 mm

Complete with clamp for frontal and fast locking, with a soft cushion, and two fixation belts.



ARM SUPPORT – ON BALL JOINT

9906013 Dimensions: 500 x 140 mm
9906019 For bariatrics - Dimensions: 500 x 248 mm

Height adjustable for 150 mm, complete with frontal fast locking clamp, soft cushion, and two fixation belts.



ARM SUPPORT FOR ADULTS ON BALL JOINT

9906006 For OPT 70 - 80 - 90 - 100
9906021 Standard for OPT 20 - 30/1 - 40/1 - CENTURY - ASSO - VANTO
9906021P For CENTURY - ASSO - VANTO - VITA with viscoelastic cushions

Complete with frontal fast locking clamp, soft cushion and two fixation belts. Dimensions: 510 x 140 mm.





ARM SUPPORT - LONGITUDINALLY AND HEIGHT ADJUSTABLE

9906026

Complete with clamp for frontal and fast locking, a soft cushion with dimensions 510 mm x 140 mm, and two fixation belts. Height adjustable for 290 mm and longitudinally adjustable for 300 mm.



ARM SUPPORT ON BALL JOINT WITH LEVER

9906018 For OPT 70 - 80 - 90 - 100

9906030 For OPT 20 - 30/1 - 40/1 - CENTURY - ASSO - VANTO - VITA

Can be swivelled via ball-and-socket joint by a lever system with one hand. Height adjustable, complete with cushion with dimension 510 mm x 140 mm, two fixation belts and frontal fast locking clamp.



ARM SUPPORT ON BALL JOINT

9906032 For OPT 20 - 30/1 - 40/1 - CENTURY - ASSO - VANTO - VITA

Complete with an adjustment system with ball-and-socket joint to fix the support on all positions. It is height adjustable with a run of 100 mm, complete with cushion 510x140 mm and thickness 40 mm, two fixation belts and frontal fast locking clamp.



ARM SUPPORT WITH TRIPLE JOINT FOR PATIENTS IN LATERAL DECUBITUS

9906028 - Dimensions: 400 x 150 mm

For patient in lateral decubitus. Complete with frontal fast locking clamp, soft cushion and a fixation belt.

ARM SUPPORT FOR PARK BENCH POSITION WITH FAST LOCKING CLAMP

9906029 - Dimensions: 510 x 140 mm

For patient in park bench position, height adjustable for 459 mm. Complete with frontal fast locking clamp, soft cushion and a fixation belt.



ARM SUPPORT FOR PATIENT IN LATERAL DECUBITUS

9906003

Swivelling via ball-and-socket joint, height adjustable for 600 mm. Complete with soft cushion with dimensions 400 mm x 150 mm and belts.

To be used with clamp to be ordered separately.



FLEXIBLE SUPPORT FOR ANAESTHESIA TUBES

9907067

Flexible and complete with clamp.



RAILING LATERAL EDGE (SINGLE) FOR THE TABLE TOP

9928003

Made of stainless steel, can be tilted. Dimension 720 mm x 280 mm. Complete with fast locking clamp.

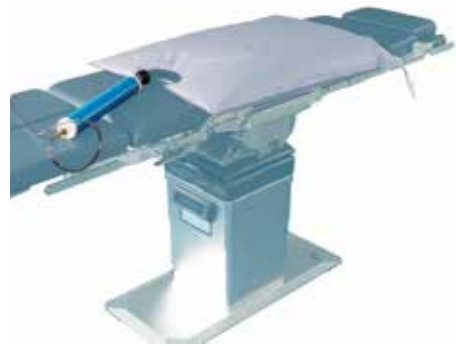




VACUUM MATTRESS

- C3103786** Dimensions 2000 x 1000 mm
- C3103806** Dimensions 750 X 1000 mm
- C3103813** Dimensions 1000 X 1000 mm

Vacuum cushion to immobilise patients on operating tables, even with polytrauma.



PLASTIC LIFT PUMP FOR VACUUM MATTRESS

C3103787

To be used with Vacuum mattress codes C3103786 - C3103806 - C3103813. From 55 cm.



X-RAY TRANSLUCENT HEATING PAD

C3103842

The warming system is complete with:

- **X-ray translucent heating pad (Dimensions: 1500 x 450 x 3h mm), thickness of 3 mm, connecting cable 2800 mm**
- Control unit (Code C3103841) - to be ordered separately

To complete the warming system it is recommended to order separately Gel pad (Code C3103843, dimensions 450 x 500 x 15h mm) with advised quantity of 3.



CONTROL UNIT FOR HEATING PAD

C3103841

The warming system is complete with:

- **Control unit for heating pad**
- X-ray translucent heating pad - to be ordered separately

To complete the warming system it is recommended to order separately Gel pad (Code C3103843, dimensions 450 x 500 x 15h mm) with advised quantity of 3.



GENERAL SURGERY



CONTROL UNIT SUPPORT

9901007 For OPT 70-80-90-100-30/1-40/1

Support for hanging the control unit onto the side rails (25x10 mm).



FIXED CLAMP WITH FAST LOCKING ATTACHMENT

9901024

It can fit side rails of size 25 x 10 mm and rods of 16 and 18 mm diameter. Both fixation of the accessory and clamp fixation onto the side rail are simultaneously managed by means of a single knob.



CLAMP WITH RADIAL SETTING AND FAST LOCKING ATTACHMENT

9901023

It can fit side rails of size 25 x 10 mm and rods of 16 and 18 mm diameter. Both fixation of the accessory and clamp fixation onto the side rail are simultaneously managed by means of a single knob. 360° rotation of the accessory is allowed.



QUICK RELEASE CLAMP

9901022

For side rails of size 25x10 mm. It can fit 16 mm diameter rods. With frontal fast locking attachment and extension for vertical bar.

PAIR OF ADJUSTABLE SHOULDER SUPPORTS

9904003

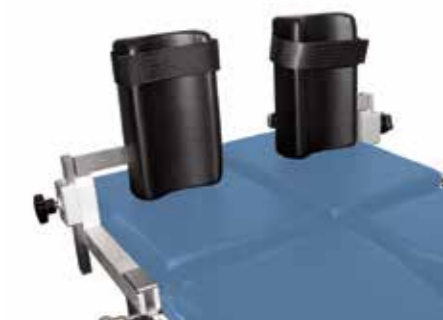
With antistatic cushions and clamps. Height and width adjustable ± 160 mm.



PAIR OF ADJUSTABLE FEET SUPPORTS

9909008

With antistatic cushions and clamps. Height and width adjustable ± 110 mm.



UNIVERSAL LATERAL SUPPORT

9908009

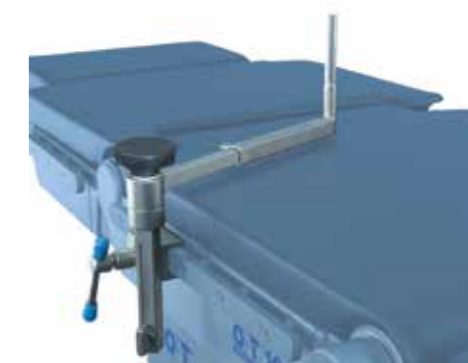
Made of stainless steel, it can be used as universal fixture for body supports. Height adjustable ± 150 mm, complete with clamp.

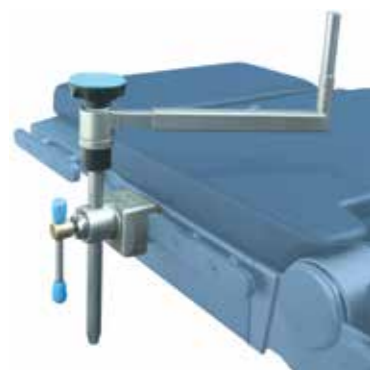


UNIVERSAL LATERAL SUPPORT

9908019

Made of stainless steel, it is used to fixed body supports. Swivelling and length (± 110 mm) and height (± 100 mm) adjustable. Complete with clamp.





UNIVERSAL LATERAL SUPPORT

9908022

Made of stainless steel, swivelling, length (± 110 mm) and height (± 175 mm) adjustable with radial toothed locking system. Complete with radial setting clamp with frontal fast locking attachment.



STERNAL - BACK SUPPORT

9908001

Cushion (size 120 x 100 mm) complete with locking for universal support. **To be used with support code 9908009-9908019-9908022 to be ordered separately.**



BACK BUTTOCKS SUPPORT

9908002 Dimensions: 200 x 80 mm
9908026 Dimensions: 280 x 140 mm

Cushion complete with locking for universal support. It can be mounted either horizontally or vertically. **To be used with universal lateral support 9908009-9908019-9908022 to be ordered separately.**



BUTTERFLY-SHAPED CHEST SUPPORT

9908003

Cushion (size mm 270 x 100), complete with locking for universal support. **To be used with universal lateral support 9908009-9908019-9908022 to be ordered separately.**

CHEST SUPPORT

9908004

Cushion (size 170 x 200 mm), complete with locking for universal support. **To be used with universal lateral support 9908009-9908019-9908022 to be ordered separately.**



SACRAL SUPPORT

9908005

Cushion (size 200 x 80 mm), complete with antistatic cushion. It can be mounted either horizontally or vertically. **To be used with universal lateral support 9908009-9908019-9908022 to be ordered separately.**



PUBIS SUPPORT

9908006

Cushion (size 50 x 50 mm), complete with locking for universal support. **To be used with universal lateral support 9908009-9908019-9908022 to be ordered separately.**



CYLINDRICAL LATERAL SUPPORT

9908020

Cushion (height: 300 mm, diameter: 80 mm), complete with locking for universal support. **To be used with support cod. 9908009-9908019-9908022 to be ordered separately.**





FLAT SIZE BODY SUPPORT

9908021 Standard
9908021P For operating tables with viscoelastic cushions

Body support complete with flat cushion (200 x 80 mm), arm support and clamp.



WEDGE-SHAPED PAD

9921016

Special cushion for a comfortable patient positioning in lateral decubitus. Dimensions 900 x 480 x 200 mm.



SEMICIRCULAR CUSHION

9921018

Special cushion for a comfortable semisitted/sitted and prone patient positioning. Dimensions 470 x 200 x 110 mm.



TUNNEL CUSHION

9921015

Special cushion for patient leg protection in the position of lateral decubitus. Dimensions 650 x 480/380 x 220/150 mm.

SINGLE LEG SUPPORT

9913002

Swivelling arch, complete with antistatic cushion. To position the patient's leg during surgical disinfection.

To be used with clamp (advised code 9901023) to be ordered separately.



INSTRUMENT TRAY

9910002

Height adjustable, dimensions 470 x 370 mm.

To be used with clamp to be ordered separately (advised code 9901023).



ARCH-SHAPED DEVICE FOR COSTAL EDGE TRACTION

9907020 For OPT 20 - 30/1 - 40/1 - 70 - 80
9907041 For OPT 90 - 100
9907059 For CENTURY - VANTO - ASSO - VITA

With swivelling vertical bars, height adjustable for 335 mm thanks to clamps (included). Complete with 2 lateral extension bars (230 mm) and with 4 hooks.



WIDTH EXTENSION FLAT SHAPE (SINGLE)

9906015 For OPT 70 - 80 - 90 - 100 - Dimensions: 240 x 81 mm
9906023 For OPT 20 - 30/1 - 40/1 - CENTURY - ASSO - VANTO Dimensions 300 x 81 mm

It is used to increase the table top surface. Complete with clamp and antistatic cushion. Advised quantity: 2





CURVED WIDTH EXTENSION (SINGLE)

9906016 For OPT 70 - 80 - 90 -100 - Dimensions: 200 x 200 mm
9906022 For OPT 20 - 30/1 - 40/1 - CENTURY - ASSO - VANTO - VITA
 Dimensions 200 x 200 mm

It is used for ergonomic patient support. Complete with clamp and antistatic cushion. It can be matched with cod. 9960023 or it can be used singularly. Advised quantity: 2



CENTRAL VANTO CUSHION WITH COUNTERTRACTION DEVICE

9921019 For VANTO Code 8812000

Central cushion of table top complete with support for counter traction bar for bariatric surgery.



CLEANING TROLLEY FOR COLUMN

9920027 For OPT 100
9920028 For VANTO Dimensions 1411 x 717 mm, 1142 mm h

Trolley to lift and clean underneath the column base.



ACCESSORIES' TROLLEY

9920001

In stainless steel. With three shelves and lateral rail supports for clamps. Dimensions: 935 mm length, 435 mm width, 810 mm height.

UNILATERAL STAINLESS STEEL ACCESSORIES TROLLEY

9920003

Mobile trolley on antistatic castors of 90 mm diameter. The trolley is equipped with side rails for accessories dimensions 25x10 mm and 600 mm length.

Complete with one wire mesh basket, dimensions 285 x 600 x 130h mm.



BILATERAL STAINLESS STEEL ACCESSORIES TROLLEY

9920006

Mobile trolley on antistatic castors of 90 mm diameter. With 4 (2 on each side) side rails accessory storages, dimensions 25x10 mm and 600 mm length.

Complete with 2 (1 on each side) wire mesh baskets, dimensions 285 x 600 x 130h mm each.

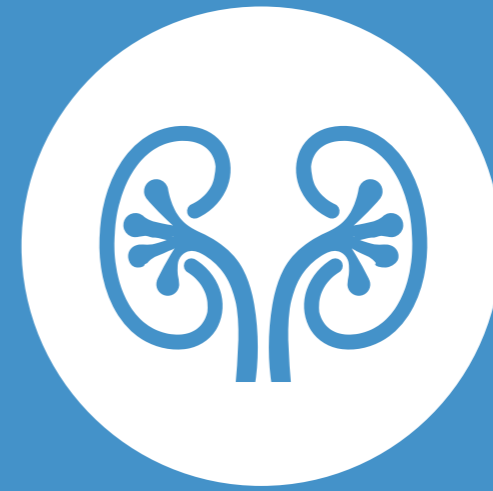


COMPONENT STAND

9920051 For VANTO - ASSO - CENTURY - VITA

For head, back and leg sections. Dimensions 985 x 715 mm, 1567 mm h.





GYNAECOLOGY | UROLOGY | PROCTOLOGY



SINGLE LEG HOLDER WITH LOOPS

9902001

With washable heel loops.

To be used with clamp to be ordered separately (advised code 9901023).



SINGLE GOEPEL KNEE CRUTCH

9902002

Knee crutch adjustable via ball-and-socket joint, complete with cushion and fixing strap.

To be used with clamp to be ordered separately (advised code 9901023).



PAIR OF KNEE CRUTCHES

9902003

Lengthwise tiltable, and laterally adjustable on ball-and-socket joint. Included with cushion, fixing strap and clamps.



SINGLE THIGH HOLDER WITH CHAINS

9902006

Complete with antistatic tubular rubber sleeves and padded chains.

To be used with clamp to be ordered separately (advised code 9901023).

SINGLE PAEDIATRIC GOEPEL KNEE CRUTCH

9902012

Knee crutch adjustable via ball-and-socket joint with cushion and fixing strap.

To be used with clamp to be ordered separately (advised code 9901023).



DIRECT PLACEMENT STIRRUP (PAIR)

9902013 Patient maximum weight capacity: 160 kg

Adjustable by twisting a lever at the end of the accessory, which activates a gas spring. Complete with antistatic cushions and 2 clamps (code 990201300010). Weight for couple 10,5 kg. For bariatric surgery advised clamp code 9901015.



DIRECT PLACEMENT STIRRUP (PAIR)

9902020 Patient maximum weight capacity: 182 kg

Adjustable by a pressure lever at the end of the accessory, which activates a gas spring. Complete with antistatic cushions and 2 clamps (code 9901019).



DIRECT PLACEMENT STIRRUP (PAIR)

9902021 Patient maximum weight capacity: 272 kg

9902022 Patient maximum weight capacity: 360 kg

Adjustable by a pressure lever at the end of the accessory, which activates a gas spring. Complete with antistatic cushions and 2 clamps (code 9901019).





KIT OF DISPOSABLE TRANSPARENT DRAPES

9902020S

For stirrups codes 9902020-9902021-9902022. They allow visibility of patient's leg during intra-operative adjustments without breaking sterile field. Packaged sterile and not made with latex. Each kit contains 10 pieces.



SINGLE CLAMP FOR DIRECT PLACEMENT STIRRUP

9901015

Reinforced clamp with high bearability, for direct placement stirrup (code 9902013), advised quantity 2.



FRAME FOR INSTRUMENT TRAY OR T.U.R. DRAINAGE SET

9911012 Dimensions 302 x 332 mm

For either perineal instrument tray code 9911013 or T.U.R. drainage set code 9911202.



PERINEAL INSTRUMENT TRAY

9911013 Dimensions 352 x 324 x 20 mm

To be used with dedicated frame code 9911012 to be ordered separately.

UROLOGICAL PAN/T.U.R. DRAINAGE SET

9911202 Dimensions 352 x 325 x 100 mm

With drain and recovery strainer, and flexible tube to floor box. Use with frame cod. 9911012 to be ordered separately.



FLOOR MOBILE FRAME

9911005

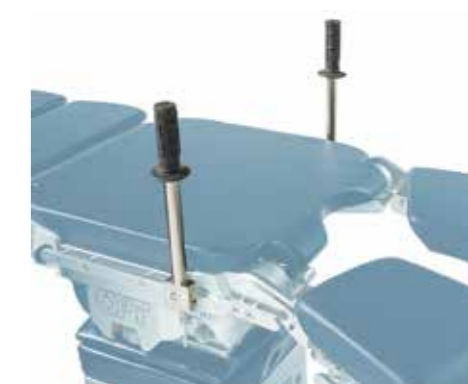
Liquid harvest mobile stainless steel bucket, complete with 4 castors and handle. Dimensions: 840 mm h, 385 mm base diameter.



PATIENT HANDLE FOR GYNAECOLOGY (SINGLE)

9924021

Advised quantity 2.



KNEE SUPPORT FOR PROCTOLOGY AND DISC SURGERY (PAIR)

9907026 For VANTO-ASSO-CENTURY

9907026P For VANTO-ASSO-CENTURY with viscoelastic cushions

For proctology to attach onto the side rails of the single part leg section (Codes 9930M02 or 9930053). Height and length adjustable for an optimal patient positioning.





VASCULAR



X-RAY CASSETTE HOLDER

9922002

Holding arm for positioning x-ray cassettes under radiotransparent table top. Mounted on side rails by clamp (included). Dimensions 185 x 315 x 345 mm.



FRAME FOR X-RAY CASSETTES

9929003

For the insertion of the x-ray cassettes under the table top. 300 x 460 mm dimensions.



CARBON FIBRE HEAD SECTION FOR VASCULAR TABLE TOP

9905057 For OPT 40/1

Complete with radiolucent and antistatic cushion (273 x 240 x 90 h mm).



HEADREST FOR VASCULAR AND XY VANTO TABLE TOP

9905068 For VANTO vascular table top - codes 8830000-8833000

Removable, complete with soft, radiolucent and antistatic cushion (550 x 300 x 80 mm), comfortable for the decubitus of the patient.

RECLINABLE HEADREST FOR VANTO VASCULAR TABLE TOP AND XY TABLE TOP

9905071 For VANTO vascular table top - codes 8830000-8833000

Removable and complete with integrated removable soft cushion, which is radiolucent, antistatic, viscoelastic and memory foam with a minimum thickness of 80 mm for a comfortable patient positioning even during long procedures.



PLATE WITH SIDE RAILS FOR VANTO VASCULAR TABLE TOP AND XY TABLE TOP

9933023 For VANTO vascular table top - codes 8830000-8833000

Radiolucent, with side rails. To be used with Vanto vascular table top and Vanto X/Y vascular table top. Length with side rails 639 mm.



PLATE WITH SIDE RAILS FOR VASCULAR TABLE TOP OPT 40/1

9933014 For vascular table top for OPT 40/1 - 90 - 100

Radiolucent, with side rails. Length with side rails 640 mm.



PLATE WITH SIDE RAILS FOR CARBON FIBRE SECTIONS

9933015 For OPT 30/1 - 40/1 - CENTURY - ASSO - VANTO - VITA

Radiolucent, with side rails holder (length with side rails: 570 mm). It is used on carbon fibre sections codes 9933050 - 9933060 - 9930047.





ARM SUPPORT UNDER THE CUSHION FOR VASCULAR TABLE TOP

9906033

Entirely radiolucent arm support complete with a soft, easily removable mattress (dimensions 600 X 250 mm). It can be used on the left or on the right side of the table top. The support plate must be placed under the cushion of the vascular table top.



ORTHOPAEDICS | TRAUMATOLOGY



BACK PLATE FOR SHOULDER SURGERY

9907028 For OPT 70 - 80 table tops A3-B-C

9907031 For OPT 20 - 30 - 30/1

9907042 For OPT 70 - 80 table tops A-D

With two lateral adjustable and removable parts, for free positioning and access to the shoulder.

Complete with adjustable headrest and its support.



BACK PLATE FOR SHOULDER SURGERY

9907039 For OPT 100 D-TA

9907052 For OPT 90 - 100

9907061 For CENTURY - VANTO - ASSO

9907061P For CENTURY - VANTO - ASSO - VITA

9907065 For OPT 40/1

With two lateral adjustable and removable parts, for free positioning and access to the shoulder.

To be used with supporting bar (cod. 9924024) for horseshoe headrest (cod. 9905011) or helmet headrest (cod. 9905034), or helmet headrest (cod. 9905058), to be ordered separately.



BACK PLATE FOR SHOULDER SURGERY

9907071 For CENTURY - VANTO - ASSO

9907071P For CENTURY - VANTO - ASSO with viscoelastic cushions

With two lateral adjustable and removable parts, for free positioning and access to the shoulder.

To be used with supporting bar (code 9924024) for the horseshoe headrest (code 9905011), or helmet headrest (code 9905034) or helmet headrest (code 9905058) all to be ordered separately.

SUPPORTING BAR FOR HEADRESTS

9924024

To be used with headrest (cod. 9905011) or helmet headrest (cod. 9905034/9905058) together with the back plate for shoulder surgery; or to be used with headrest (cod. 9905011 and 9905039) and the connecting adapters to be ordered separately according to the table model.



HELMET-SHAPED HEADREST

9905034

To be used with supporting bar 9924024 and back plate for shoulder surgery.



MODULAR HELMET HEADREST

9905058

To be used with supporting bar 9924024 and back plate for shoulder surgery. The headrest is modular, with 2 easily removable lateral parts to facilitate anaesthesia of the patient.



PADDED BODY STRAP

9914013 For OPT 20 - 30/1 - 40/1 - 90 - 100 - ASSO - CENTURY - VANTO - VITA

Fixing system for the patient in beach-chair position to the side rails of the back plate for shoulder surgery. Washable, length 1.900 mm and width on the padded point 150 mm.



LATERAL SUPPORT FOR SHOULDER SURGERY

9908029

Support complete with lateral body and cushion to be used for shoulder surgery in beach-chair position and as back support. Dimensions 509 mm height x 150 mm diameter, complete with clamp.





PLATE FOR HUMERUS SURGERY

- 9906014** For back plate cod. 9907052
- 9906027** For back plate cod. 9907065
- 9906020** For back plate cod. 9907061
- 9906031** For back plate cod. 9907071
- 9906031P** For back plate cod. 9907071P

Radiolucent, to use with patient in prone position. It is complete with cushion. To be fitted onto back plate for shoulder surgery.



HEIGHT ADJUSTABLE PLATE FOR HUMERUS SURGERY

9909013

Radiolucent, orientable on ball-and-socket joint, to use with patient in prone position. Complete with cushion (470 x 190 x 40 mm) and clamp for side rails. Height adjustment range of 150 mm.



ADJUSTABLE PLATE FOR HUMERUS AND ARM SURGERY

9909016 Dimensions 600 x 200 x 30 mm

Radiolucent, with double adjustment: 140 mm in heights and 40 mm in horizontal slide. It can be used on both left or right side of the table top. The plate can be orientated of $\pm 90^\circ$ towards the table top. It is complete with a removable cushion of 30 mm and clamp with a rapid lock for the side rails.



HUMERUS AND FOREARM POSITIONING DEVICE

9907038

With patient in supine position, made of a countertraction post, positioning system and hand traction. Complete with 2 clamps.

LIGHT SHOULDER ARTHROSCOPY DEVICE

9907072 For OPT 20 - 30/1 - 40/1 - 80 - ASSO - CENTURY - VANTO - VITA

With double traction system, tiltable, extensible, height adjustable and fully orientable on clamp. Complete with strings, straps and clamp.



OPT ARM

9907070

Patient positioning device for arthroscopic surgery. OPT Arm is used to safely move and hold the patient's arm during surgery.

To be used with disposable kit (cod. 9907077S) to be ordered separately.



DISPOSABLE KIT FOR OPT ARM

9907077S

Disposable kit for OPT Arm complete with sterile drape made of velcro, a sterile cloth to cover the accessory and a sterile fixing tape. It contains 10 disposable pieces.

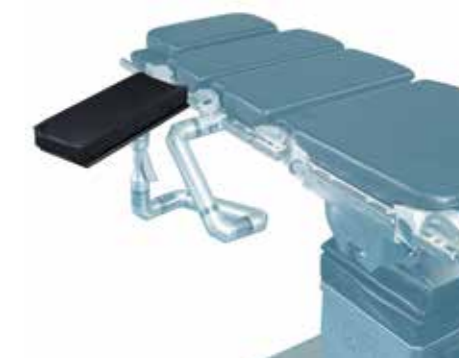


ARM SUPPORT SURGERY TABLE FOR OPT ARM

9907077D

Thanks to this plate it is possible to provide safe and easy patient positioning in lateral decubitus (park bench).

To be used together with OPT Arm cod. 99070770





COUNTERTRACTION ARM FOR OPT ARM

9907077E

To be used together with OPT Arm cod. 99070770.



HAND SURGERY TABLE

9909002 Dimensions 700 x 300 mm

9909004 Dimensions 700 x 500 mm

Completely radiolucent, height adjustment range 55 mm, complete with antistatic cushion of 40 mm, traction device and clamp. Patient maximum weight capacity: 360 kg.



ARM AND HAND SURGERY TABLE WITHOUT A STAND

9909014 In carbon fibre

9909015 In phenolic resin

Extremely resistant and light, easy to use and completely radiolucent. Height adjustable for a correct alignment with the operating table. Complete with antistatic cushion and 2 clamps. Dimensions: 760 x 380 mm.



HIP PROTHESIS POSITIONING DEVICE

9908027

It is made of 2 height adjustable iliac crest tampon supports and 1 orientable and height adjustable sacral support. Complete with fast locking clamps to be fitted onto the side rails.

MEDACTA ADAPTER

9925027 For OPT 90 - 100 - CENTURY - VANTO - ASSO - VITA

Medacta device for MIS hip surgery. To be attached to traction group cod. 9923052 or 9923060.



MENISCUS POSITIONING DEVICE

9907003

Mounted on square section bar, without knee lateral supports, with clamp included.



KNEE POSITIONING DEVICE WITH LATERAL ADJUSTABLE SUPPORTS WITH CLAMP

9907032

Mounted on square section bar, with swivelling lateral adjustment supports, with clamp included.



KNEE ARTHROSCOPY DEVICE

9907034

Tiltable, height adjustable, with width regulation. Complete with padded belt and clamp.



FOLDABLE KNEE ARTHROSCOPY DEVICE

9907075

Reclinable, spreadable, with tiltable adjustable lateral supports, complete with padding and clamp.



SLIDING ROLLER SUPPORT FOR KNEE PROTHESIS

9909009

Height adjustable +/- 55 mm. and length adjustable 340 mm. For a safe and precise patient positioning.



SLIDING POSITIONER FOR KNEE PROTHESIS

9907079 Length adjustment: 610 mm

9907080 Length adjustment: 760 mm

Height and length adjustable and complete with ball joint that allows to flex, stretch, recline and rotate the patient's leg. Complete with clamp and a kit of disposable drapes 12 pieces. (code 9907079S).

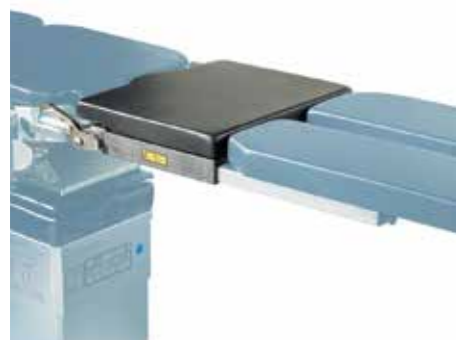


CARBON FIBRE HIP PROTHESIS DEVICE

9923058 For OPT 90 - 100 Cushion dimensions: 530 x 495 x 50 mm

9923069 For CENTURY - VANTO - ASSO Cushion dimensions: 530 x 478 x 51 mm

Made of carbon fibre and completed with foamed pad. To be used with patient in supine position for a complete radiotransparency and with removable and interchangeable leg supports (9923067).



TRUNCH AND THORAX PLASTER DEVICE

9923051 For CENTURY - VANTO - ASSO - VITA

9923061 For OPT 20 - 30/1 - 40/1

Complete with vertical support which is height adjustable, with fork scapular supports and headrest for adults and children.



PELVIC - PODALIC ACCESSORY

9923071 For CENTURY - VANTO - ASSO - VITA

9923075 For OPT 90 - 100

9923079 For OPT 20 - 30/1 - 40/1

In radiolucent material. Complete with countertraction post and spatula supports for adults and children. Possibility of being attached to the operating table and/or traction device group. The code 9923079 applies only to a traction device.



PELVIS PLASTER DEVICE

9923057 For 90 - 100 - CENTURY - VANTO - ASSO - VITA

Complete with countertraction post and spatula supports for adults and children. To be attached to the lower limbs traction device.



LOWER LIMBS TRACTION DEVICE

9923046 For OPT 20 - 30/1 - 40/1

Kit includes:

- 1 fixed pelvis support
- 1 traction arm with screw tension device and traction device standing leg/bar (indifferently left or right)
- 1 standing device

and complete with the following:

- 1 countertraction bar with cylindrical cushion (cod. 9924025);
- 1 elongation bar (cod. 9919001);
- 1 adult traction boot - size M (cod. 9918003);
- 1 single Goepel knee crutch (cod. 9902002);
- 1 radial setting clamp (cod. 9901023)

To be used only with standing leg bar installed.





LOWER LIMBS TRACTION DEVICE

9923052 For CENTURY - VANTO - ASSO

Note: tractions installed on the VANTO table top Code 8815000 must be used with the removable traction standing device Code 9923074

9923060 For OPT 100 - 90

Complete with:

- 1 fixed pelvis support
- 1 pair of tiltable and removable buttock support
- 1 pair removable leg supports
- 1 traction arm with screw tension device, indifferently left or right

and complete with the following:

- 1 countertraction bar with cylindrical cushion (cod. 9924025);
- 1 adult traction boot - size M (cod. 9918003);
- 1 single Goepel knee crutch (cod. 9902002);
- 1 clamp for Goepel knee crutch (cod. 9901023)

LOWER LIMBS TRACTION DEVICE WITH VISCOELASTIC CUSHIONS

9923052P For CENTURY - VANTO - ASSO - VITA

Note: tractions installed on the VANTO table top Code 8815000P must be used with the removable traction standing device Code 9923074

Complete with:

- 1 fixed pelvis support
- 1 pair of tiltable and removable buttock support
- 1 pair removable leg supports
- 1 traction arm with screw tension device, indifferently left or right

and complete with the following:

- 1 countertraction bar with cylindrical cushion (cod. 9924025);
- 1 adult traction boot - size M (cod. 9918003);
- 1 single Goepel knee crutch (cod. 9902002);
- 1 clamp for Goepel knee crutch (cod. 9901023)

Cushions are viscoelastic and memory foam with minimum thickness 80 mm.

RADIOLUCENT CARBON FIBRE LOWER LIMBS TRACTION DEVICE

9923065 For CENTURY - VANTO - ASSO - VITA

Note: tractions installed on the VANTO table top Code 8815000 must be used with the removable traction standing device Code 9923074

Complete with:

- 1 radiolucent fixed pelvis support
- 1 countertraction bar
- 1 pair of tiltable and removable buttock support

To be completed necessarily with:

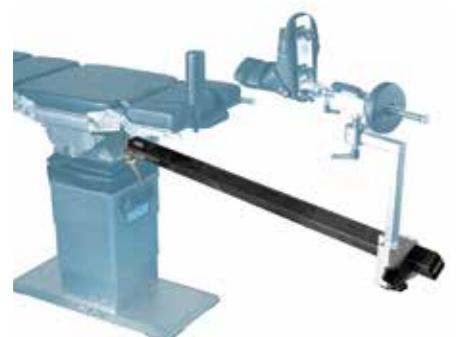
- 2 carbon fibre traction
- 2 screw tension devices
- 2 adult traction boots

CARBON FIBRE ROTATED TRACTION BAR

9923066 To complete the traction system cod. 9923065

It can be used indifferently left or right and is complete with n.1 clamp for positioning the screw tension device and n.1 stirrup. The traction bar with rotated arm allows a better exposure to the x- ray thanks to a configuration that avoids stacking the carbon fibre layers.

Without screw tension device to be ordered separately.



SINGLE TRACTION ARM

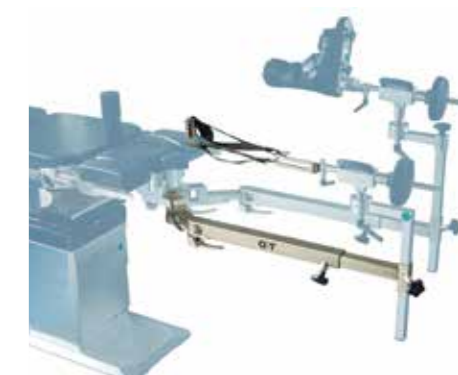
9923047 To complete the traction system cod. 9923046. With n. 1 stand supplied.

9923053 To complete the traction system cod. 9923052 and 9923052P

Complete with:

- 1 stirrup
- 2 ankle leather cuffs (1 for adults and 1 for children)
- 1 plate for positioning the safe leg

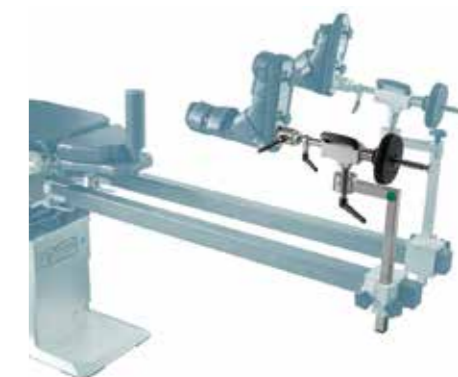
Without screw tension device to be ordered separately.



SCREW TENSION DEVICE

9923049

For the second traction arm 9923047, 9923053 and 9923066.



SCREW TENSION DEVICE WITH HORIZONTAL ADJUSTMENT

9923077

For the second traction arm 9923047, 9923053 and 9923066.



PAIR OF TRACTION LEG SUPPORTS

9923064 For traction device OPT 40/1 - 30/1

9923067 For traction device CENTURY - VANTO - ASSO - VITA

Legs section for traction support with sphere graft. Not tiltable. Advised for lower limbs traction device code 9923046 (but already included in code 9923052) or for hip prosthesis device cod. 9923069 - 9923058.





REMOVABLE TRACTION STANDING DEVICE LEG/BAR

9923045
9923074 For operating table VANTO Code 8815000.

For the lower limbs traction device cod. 9923052 and 9923052P.



TRACTION BOOT (SINGLE)

9918003 Size M (41/45)
9918004 Size S (35/40)
9918005 Size XS (32/34)

To be fixed to a metal plate on a ball-and-socket joint. To be used with lower limbs traction device, it can be used on both right and left foot.



ANKLE LEATHER CUFFS (PAIR)

9912001 Adults
9912002 Paediatric
9912003 N. 1 for adults n. 1 for children

To be used with lower limbs traction device.



ELONGATION BAR

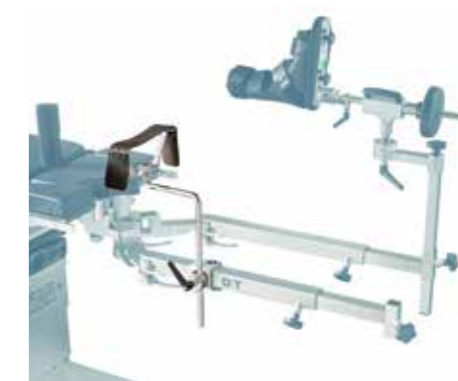
9919001 Length: 480 mm
9919003 Length: 300 mm

Complete with clamp.

POPLITEUS HOLDER ARCH (SINGLE)

9902014

For lower limbs traction device, complete with clamp.
Advised quantity: 2.



RADIOLUCENT POPLITEUS HOLDER PLATE (SINGLE)

9902017

For lower limbs traction device, radiolucent and complete with clamp.
Advised quantity: 2.



L-SHAPED COUNTER TRACTION AND PELVIS SUPPORT POST

9924026

To be used on lower limbs traction device with patient in lateral decubitus.



CYLINDRICAL CUSHION FOR HIP ARTHROSCOPY

9924704

For hip arthroscopy with diameter 200 mm and 250 h.





TIBIA NAILING DEVICE

9924027

With popliteus support, complete with cushions and height adjustable. To be fitted onto lower limbs traction device with the possibility of adjusting the leg inclination.



RADIOLUCENT PELVIS SURGERY DEVICE

9923055 For CENTURY – ASSO - VANTO - VITA

To be used with tractioned limbs. Specialistic device completely radiolucent on its central part for pelvis surgery and fracture.



COUNTERTRACTION DEVICE FOR BARIATRIC SURGERY

9923078 For CENTURY – ASSO - VANTO - VITA

Support for countertraction bar to be fitted on lower limbs traction device.



STIRRUP TRACTION DEVICE

9923062

For models Martin, Aescolap, etc.

RIGID TRACTION DEVICE WITH STIRRUP

9923020

To be used with traction arm and screw tension device. Can be rotated and tilted.



TROLLEY FOR MOUNTED LOWER LIMBS TRACTION DEVICE

9920070 For CENTURY - VANTO - ASSO - VITA with standard tractions

9920071 For CENTURY - VANTO - ASSO - VITA with carbon fibre tractions

Complete with wire mesh basket, dimension 600 mm x 600 mm x 300 h mm. To be ordered according to the table, to the column (fixed/mobile/plus) and to the table top type.



TROLLEY FOR MOUNTED TRACTION DEVICE

9923048 For OPT 20 - 30/1 - 40/1

Complete with wire mesh basket, dimension 600 mm x 600 mm x 300 h mm.



PREPARATION FOR TROLLEYS FOR LOWER LIMBS TRACTION DEVICE TO BE USED WITH A SINGLE TRACTION ARM

9920050S

Preparation device for trolleys for lower limb traction device that allows to move safely the tractions 9923052/9923052P with a single traction arm.





CUBE TROLLEY FOR DISMOUNTED TRACTION DEVICE

9920026

For the rapid and tidy storage of the entire traction system.
Height 950 mm (1100 mm with traction device), width 790 mm (820 mm with traction device).



CUBE TROLLEY FOR DISMOUNTED CARBON FIBRE TRACTION DEVICE

9920055

For the rapid and tidy storage of the entire dismantled traction system.



NEUROLOGY | ENT | OPHTHALMOLOGY



SQUARE SECTION ADAPTER FOR HEADREST

- 9925010** For OPT 20 - 30 - 30/1
- 9925009** For OPT 70A - 80A - 90 - 100 - manual
- 9925013** For OPT 70 - 80 table top B-C-D
- 9925024** For OPT 40 - 40/1

Connecting adapter for headrest or for headrest supporting bar (code 9924024), to be used in place of standard headrest of the table.



ADAPTER FOR HEADREST

- 9925052** For CENTURY - ASSO - VANTO - VITA

Connecting adapter for headrest or for headrest supporting bar (code 9924024), to be used in place of standard headrest of the table.



SUPPORTING BAR FOR HEADRESTS

- 9924024**

To be used with headrest (cod. 9905011) or helmet headrest (cod. 9905034/9905058) together with back plate for shoulder surgery; or to be used with headrest (cod. 9905011 and 9905039) and adapters to be ordered in relation to the table model.



SUPPORTING BAR - DOUBLE LEVER

- 9905038**

Support for square-shaped headrest to be used with trapezoidal back section plate (code 9907068 or 9907063), or with square-shaped insert adaptor for headrest 9905011 and 9905039.

SQUARE-SHAPED HEADREST

- 9905039**

To be used with supporting bar 9905038 and head section adapter (to be ordered in according to the table) or with supporting bar 9924024 and related head section adapter (to be ordered depending on the table). For patients in supine decubitus.



HORSE-SHOE SHAPED HEADREST

- 9905011**

Height and width adjustable, swivelling on ball and socket joint, complete with antistatic cushion. For patients in prone and supine decubitus.

Used with supporting bar for headrest (9924024) and adaptor according to the table, both should be ordered separately.



HORSE-SHOE SHAPED FACIAL SUPPORT

- 9905035**

Width adjustable, for patient in prone position. Complete with cushions, supporting bar and clamp.

To be used with cushion code 9921002 (to be ordered separately).



HEADREST - HEIGHT ADJUSTABLE BY ROTATING KNOB

- 9905001**

Swivelling on ball and socket joint, complete with antistatic cushions.

To be used with connecting adapter (to be ordered in according to the table top) to be ordered separately.



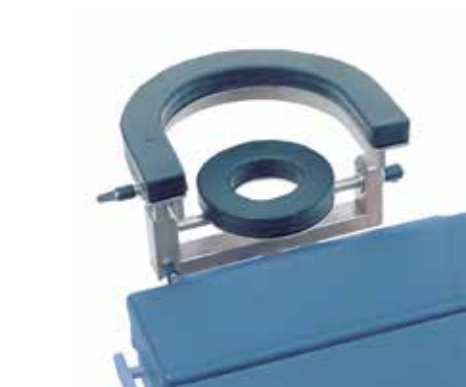


HEADREST ON BALL JOINT

9905003

Height adjustable, complete with antistatic cushions.

To be used with connecting adapter (to be ordered in according to the table top) to be ordered separately.



CIRCULAR HEADREST WITH ELBOW SUPPORT

9905021 For OPT 20 - 30 - 30/1

9905024 For OPT 70A - 80A - 90 - 100

9905048 For OPT 40 - 40/1

9905M01 For CENTURY - ASSO - VANTO - VITA

Tiltable, height adjustable, with special elbow rest for surgeon with possibility of vertical and longitudinal adjustments. Complete with cushion. Adapter included.



PAIR OF FOREARM SUPPORTS

9906009

Height adjustable, swivelling on ball and socket joint. Complete with antistatic cushions and clamps.



SQUARE-SHAPED HEADREST

9921009 Dimensions: 260 x 260 x 80 mm - adults

9921010 Dimensions: 240 x 240 x 80 mm - paediatric

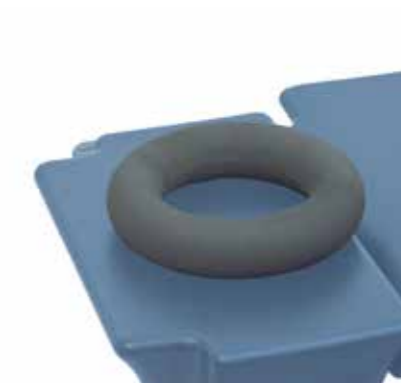
Square, ergonomic shape, radiolucent and antistatic material.

CIRCULAR HEADREST

9921013 Dimensions: Ø external 210 mm - Ø internal 120 mm - adults

9921014 Dimensions: Ø external 180 mm - Ø internal 90 mm - paediatric

Radiolucent and antistatic.



RADIOLUCENT SPINAL FRAME

C3103400 Type 1

9907082 Type 2

For positioning the patient in prone position, type Wilson. 360° radiolucent.



POSITIONING DEVICE FOR INTERVERTEBRAL DISC PROCEDURE

9907057 For CENTURY - ASSO - VANTO

9907055 For table tops OPT 100 cod 8611000/8612000/8616000 and OPT 90 cod. 7622000

To position the patient in genupectoral position. Complete with buttocks support, lateral patient body supports and height adjustable knee support by crank.



TROLLEY FOR POSITIONING DEVICE FOR INTERVERTEBRAL DISC PROCEDURE

9920022 For VANTO with table top cod. 8812000

9920032 For VANTO with table top cod. 8811000

9920031 For ASSO

9920035 For CENTURY

9920016 For table top OPT 100 cod 8611000/8612000

9920017 For table top OPT 100 cod 8616000

9920020 For table top OPT 90 cod 76220000

Trolley for transport and easy mounting/dismounting of positioning device. Complete with 2 wire mesh baskets of the following dimensions: 600 x 300 x 130h mm.





SPINAL CORD POSITIONING DEVICE

9907016 For OPT 20 - 30 - 40 - 30/1 - 40/1 - 70 - 80

Special device for spinal cord surgery, totally radiolucent, with arch shape (100°) and abdominal cut out (dimensions 150 x 500 mm). Complete with ergonomic cushions and edges for iliac crests; rotating, swivelling, and height adjustable knee supports.



CUSHION FOR DISC SURGERY

9921002 Dimensions: 815 x 450 x 95 mm - adults

9930033 Dimensions: 615 x 350 x 85 mm - paediatric

For intervertebral disc surgical operation, with abdominal cut-out.



CERVICAL RACHIS TRACTION DEVICE

9923063

To be used with headrest adapter (according to the table model), supporting bar 9924024 and headrest 9905011, to be ordered separately.



KNEE SUPPORT FOR PROCTOLOGY AND DISC SURGERY (PAIR)

9907026 For CENTURY - ASSO - VANTO

9907026P For CENTURY - ASSO - VANTO with viscoelastic cushion

For proctology to attach onto the side rails of the single part leg section (Codes 9930M02 or 9930053). Height and length adjustable for an optimal patient positioning.

CROSS-BAR ATTACHMENT FOR SKULL CLAMP

9907012 For OPT 20 - 30/1 - 40/1 - 70 - 80

9907050 For OPT 90 - 100

9907058 For CENTURY - ASSO - VANTO - VITA

For head positioning accessories and neurosurgery accessories, with patient in a seated position. Complete with clamps.



ADAPTER FOR ALLOY SKULL CLAMP

9925012 For OPT 70A - 80A - 90 - 100

9925014 For OPT 70 - 80 table top B-C-D

9925016 For OPT 20 - 30 - 30/1

9925025 For OPT 40 - 40/1

To be used instead of the standard head section, it is used to fix the skull clamp or the supporting bar code 9905038.



ADAPTER FOR ALLOY SKULL CLAMP

9925053 For CENTURY - ASSO - VANTO - VITA

9925054 Radiolucent - for CENTURY - ASSO - VANTO - VITA

To be used instead of the standard head section, it is used to fix the skull clamp or the supporting bar code 9905038.



ALLOY SKULL CLAMP

C3101611 Type 1

C3103747 Type 2

Provides 3 point rigid cranial fixation by giving flexibility and safety in the positioning of the pins around the critical areas of the skull. With quick release lock.





ADULT HORSESHOE HEADREST

C3101613 Type 1
C3103785 Type 2

Adult horseshoe rest for skull support in prone or supine position. With vertical and lateral adjustments that allow flexibility in patient positioning. Adjustable pad base accommodates various head sizes and gel pads for more comfort. With pulley rod attachment for skeletal traction.



ADULT REUSABLE SKULL PIN

C3101614 Type 1: Single -Minimum required qty 3
C3103749 Type 2: N. 3 pieces kit

Reusable.



PAEDIATRIC REUSABLE SKULL PIN

C3101615 Type 1: Single -Minimum required qty 3
C3103750 Type 2: N. 3 pieces kit

Reusable.



ULTRA BASE UNIT

C3102321 Type 1
C3103746 Type 2

Support that facilitates attaching the skull clamp or the skull clamp to the operating table.

ADAPTOR

C3102323 Type 1
C3103748 Type 2

Attaches to base unit to provide flexibility in positioning via 360° rotation. Adapts skull clamps to base units.



PAEDIATRIC HORSESHOE REST

C3102610 Type 1
C3103821 Type 2

Horseshoe shaped headrest provides cranial support in the prone or supine position for infants and young children. Vertical and lateral adjustments allow flexibility in patient positioning. Adjustable pad base accommodates various head sizes. Complete with gel pads that provide comfort.



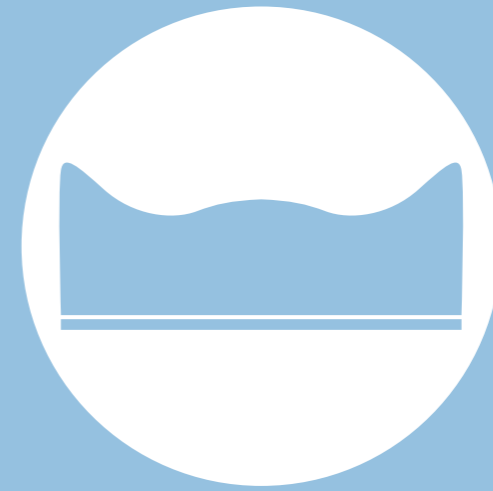
CARBON FIBRE RADIOLUCENT HEADREST SYSTEM

C3103728 Type 1
C3103751 Type 2: with the disposable adult skull pins (36 pcs.) - Code C3103807 or with the disposable children skull pins (36 pcs.) - Code C3103808

Complete with:

- radiolucent skull clamp
- radiolucent ultra base unit
- disposable adult skull pins - quantity 3





GEL PADS



CLOSED HEAD RING

- C3103178** Diameter cm 9x4x2 (DM AP001)
- C3103139** Diameter cm 14x6x3,5 (DM AP002)
- C3103127** Diameter cm 20x7,5x4,5 (DM AP003)



OPEN HEAD RING

- C3103180** Diameter cm 9x4x2 (DM AP011)
- C3103159** Diameter cm 14x6x3,5 (DM AP012)
- C3103128** Diameter cm 20x7,5x4,5 (DM AP013)



PRONE HEADREST

- C3103181** cm 23x19x13 (DM AP023)
- C3103140** cm 28x23x14,5 (DM AP022)



PAIR OF HEEL GEL SUPPORT

- C3103160** cm 20x11x7 (DM AP031)



CHEST ROLL

- C3103197** cm 30x15x10 (DM XG041)
- C3103740** cm 40,5x10x 8,5 (DM AP045)
- C3103130** cm 40,5x15x10 (DM XG042)
- C3103161** cm 51x15x10 (DM XG043)

ARMBOARD PAD

- C3103143** cm 40x12,5x2 (DM AP071)
- C3103162** cm 60x12,5x2 (DM AP072)



CONTOURED HEADREST

- C3103179** cm 19x19x6 (DM AP081)



UNIVERSAL PATIENT POSITIONER

- C3103375** cm 16x8x4,5 (DM AP091)
- C3103376** cm 33x7x5 (DM AP092)
- C3103144** cm 33x12x6 (DM AP093)
- C3103145** cm 36x12,5x7 (DM AP094)



HEAD PAD

- C3103182** cm 27x23x7 (DM AP110)



WILSON FRAME PAD

- C3103188** cm 75x25,5x2,5 (DM AP210) - set 2 pieces





OPERATING TABLE PAD

- C3103060** cm 15x50x1,5 (DM AP408A)
- C3103183** cm 23x50x1 (DM AP301)
- C3103158** cm 50x50x1 (DM AP303)
- C3103049** cm 70x50x1,5 (DM AP406)
- C3103184** cm 99x50x1 (DM AP302)
- C3102981** cm 117x50x1,5 (DM-AP409A)
- C3102912** cm 117x50x1 (DM-AP403A)
- C3103186** cm 183x50x1 (DM AP402)
- C3103185** cm 193x86x1 (DM AP401)
- C3103057** cm 117x50x1 (DM AP409) WITH PERINEAL CUT



GOEPEL KNEE CRUTCH PAD

- C3103377** cm 52x30x1 (DM AP803) - set 2 pieces



BOOT STIRRUP PAD

- C3103194** set 2 pcs - cm 23x28x1,3 (DM AP901) - set 2 pieces



ARMBOARD PAD

- C3102990** cm 40x12,5x3,8 (DM AP073)

INDEX

ACCESSORY COMPATIBILITY WITH OPT OPERATING TABLES

Note:

- - accessories compatible with operating tables
- R** - accessories to be installed on side rail
- H** - accessories to be installed on the head side of the operating tables
- L** - accessories to be installed on the feet side of the operating tables
- C** - accessories to be used in combination with other accessories

Compatibility										
Code	Description	Other OPT Tables	Page	Vanto	Asso	Century	Vita	40/1	30/1	NOTE
9901007	CONTROL UNIT SUPPORT	OPT 70 - 80 - 90 - 100	14					•	•	R
9901015	SINGLE CLAMP FOR DIRECT PLACEMENT STIRRUP		26	•	•	•	•	•	•	C+R
9901022	QUICK RELEASE CLAMP		14	•	•	•	•	•	•	C+R
9901023	CLAMP WITH RADIAL SETTING AND FAST LOCKING ATTACHMENT		14	•	•	•	•	•	•	C+R
9901024	FIXED CLAMP WITH FAST LOCKING ATTACHMENT		14	•	•	•	•	•	•	C+R
9902001	SINGLE LEG HOLDER WITH LOOPS		24	•	•	•	•	•	•	C+R
9902002	SINGLE GOEPEL KNEE CRUTCH		24	•	•	•	•	•	•	C+R
9902003	PAIR OF KNEE CRUTCHES		24	•	•	•	•	•	•	R
9902006	SINGLE THIGH HOLDER WITH CHAINS		24	•	•	•	•	•	•	C+R
9902012	SINGLE PAEDIATRIC GOEPEL KNEE CRUTCH		25	•	•	•	•	•	•	C+R
9902013	DIRECT PLACEMENT STIRRUP (PAIR)		25	•	•	•	•	•	•	R
9902014	POPLITEUS HOLDER ARCH (SINGLE)		45	•	•	•	•	•	•	C
9902017	RADIOLUCENT POPLITEUS HOLDER PLATE (SINGLE)		45	•	•	•	•	•	•	C
9902020	DIRECT PLACEMENT STIRRUP (PAIR)		25	•	•	•	•	•	•	R
9902020S	KIT OF DISPOSABLE TRANSPARENT DRAPES		26	•	•	•	•	•	•	C
9902021	DIRECT PLACEMENT STIRRUP (PAIR)		25	•	•	•	•	•	•	R
9902022	DIRECT PLACEMENT STIRRUP (PAIR)		25	•	•	•	•	•	•	R
9903001	ANAESTHESIA SCREEN	OPT 20 - 70 - 80	6					•	•	R
9903003	L-SHAPED ANAESTHESIA SCREEN		6	•	•	•	•	•	•	C+R
9903005	ANAESTHESIA SCREEN	OPT 90 - 100	6							L
9903007	ANAESTHESIA SCREEN		6	•	•	•	•			R
9903009	FLEXIBLE SCREEN		6	•	•	•	•	•	•	C+R
9904003	PAIR OF ADJUSTABLE SHOULDER SUPPORTS		15	•	•	•	•	•	•	R
9905001	HEAD REST - HEIGHT ADJUSTABLE BY ROTATING KNOB		51	•	•	•	•	•	•	C+H
9905003	HEAD REST ON BALL JOINT		52	•	•	•	•	•	•	C+H
9905011	HORSE-SHOE SHAPED HEAD REST		51	•	•	•	•	•	•	C+H
9905021	HEAD REST WITH ELBOW SUPPORT	OPT 20 - 30	52						•	H
9905024	HEAD REST WITH ELBOW SUPPORT	OPT 70A - 80A - 90 - 100	52							H
9905M01	HEAD REST WITH ELBOW SUPPORT		52	•	•	•	•			H
9905034	HELMET-SHAPED HEAD REST		35	•	•	•	•	•	•	C+H
9905035	HORSE-SHOE SHAPED FACIAL SUPPORT		51	•	•	•	•	•	•	R
9905038	SUPPORTING BAR - DOUBLE LEVER		50	•	•	•	•	•	•	C+H
9905039	SQUARE-SHAPED HEAD REST		51	•	•	•	•	•	•	C+H
9905048	HEAD REST WITH ELBOW SUPPORT	OPT 40	52					•		H
9905057	CARBON FIBRE HEAD SECTION FOR VASCULAR TABLE TOP		30					•		H
9905058	MODULAR HELMET HEAD REST		35	•	•	•	•	•	•	C+H
9905068	HEADREST FOR VASCULAR AND XY VANTO TABLE TOP		30	•						H

Compatibility										
Code	Description	Other OPT Tables	Page	Vanto	Asso	Century	Vita	40/1	30/1	NOTE
9905071	RECLINABLE HEADREST FOR VANTO VASCULAR TABLE TOP AND XY TABLE TOP		31	•						H
9906003	ARM SUPPORT FOR PATIENT IN LATERAL DECUBITUS		11	•	•	•	•	•	•	C+R
9906006	ARM SUPPORT FOR ADULTS ON BALL JOINT	OPT 70 - 80 - 90 - 100	9							R
9906009	PAIR OF FOREARM SUPPORTS		52	•	•	•	•	•	•	R
9906012	PAEDIATRIC ARM SUPPORT		9	•	•	•	•	•	•	R
9906013	ARM SUPPORT – ON BALL JOINT		9	•	•	•	•	•	•	R
9906014	PLATE FOR HUMERUS SURGERY	OPT 90 - 100	36							C
9906015	WIDTH EXTENSION FLAT SHAPE (SINGLE)	OPT 70 - 80 - 90 - 100	19							R
9906016	CURVED WIDTH EXTENSION (SINGLE)	OPT 70 - 80 - 90 - 100	20							R
9906018	ARM SUPPORT ON BALL JOINT WITH LEVER	OPT 70 - 80 - 90 - 100	10							R
9906019	ARM SUPPORT ON BALL JOINT		9	•	•	•	•	•	•	R
9906020	PLATE FOR HUMERUS SURGERY		36	•	•	•	•			C
9906021	ARM SUPPORT FOR ADULTS ON BALL JOINT	OPT 20	9	•	•	•		•	•	R
9906021P	ARM SUPPORT FOR ADULTS ON BALL JOINT		9	•	•	•	•			R
9906022	CURVED WIDTH EXTENSION (SINGLE)	OPT 20	20	•	•	•	•	•	•	R
9906023	WIDTH EXTENSION FLAT SHAPE (SINGLE)	OPT 20	19	•	•	•		•	•	R
9906026	ARM SUPPORT - LONGITUDINALLY AND HEIGHT ADJUSTABLE		10	•	•	•	•	•	•	R
9906027	PLATE FOR HUMERUS SURGERY		36					•		C
9906028	ARM SUPPORT WITH TRIPLE JOINT FOR PATIENTS IN LATERAL DECUBITUS		10	•	•	•	•	•	•	R
9906029	ARM SUPPORT FOR PARK BENCH POSITION WITH FAST LOCKING CLAMP		11	•	•	•	•	•	•	R
9906030	ARM SUPPORT ON BALL JOINT WITH LEVER	OPT 20	10	•	•	•	•	•	•	R
9906031	PLATE FOR HUMERUS SURGERY		36	•	•	•				C
9906031P	PLATE FOR HUMERUS SURGERY		36	•	•	•				C
9906032	ARM SUPPORT ON BALL JOINT	OPT 20	10	•	•	•	•	•	•	R
9906033	ARM SUPPORT UNDER THE CUSHION FOR VASCULAR TABLE TOP		32	•						R
9906801	SUSPENDED ARM STRAP		6	•	•	•	•	•	•	C
9907003	MENISCUS POSITIONING DEVICE		39	•	•	•	•	•	•	R
9907012	CROSS-BAR ATTACHMENT FOR SKULL CLAMP	OPT 20 - 70 - 80	55					•	•	C+R
9907016	SPINAL CORD POSITIONING DEVICE	OPT 20 - 30 - 40 - 70 - 80	54					•	•	R
9907020	ARCH-SHAPED DEVICE FOR COSTAL EDGE TRACTION	OPT 20 - 70 - 80	19					•	•	R
9907026	KNEE SUPPORT FOR PROCTOLOGY AND FOR DISC SURGERY (PAIR)		27-54	•	•	•				R
9907026P	KNEE SUPPORT FOR PROCTOLOGY AND FOR DISC SURGERY (PAIR)		27-54	•	•	•				R
9907028	BACK PLATE FOR SHOULDER SURGERY	OPT 70 - 80 table top A3-B-C	34							H
9907031	BACK PLATE FOR SHOULDER SURGERY	OPT 20 - 30	34						•	H
9907032	KNEE POSITIONING DEVICE WITH LATERAL ADJUSTABLE SUPPORTS WITH CLAMP		39	•	•	•	•	•	•	R
9907034	KNEE ARTHROSCOPY DEVICE		39	•	•	•	•	•	•	R
9907038	HUMERUS AND FOREARM POSITIONING DEVICE		36	•	•	•	•	•	•	R
9907039	BACK PLATE FOR SHOULDER SURGERY	OPT 100 D-TA	34							C+H
9907041	ARCH-SHAPED DEVICE FOR COSTAL EDGE TRACTION	OPT 90 - 100	19							R
9907042	BACK PLATE FOR SHOULDER SURGERY	OPT 70 - 80 table top A-D	34							H

Code	Description	Other OPT Tables	Page	Compatibility						NOTE
				Vanto	Asso	Century	Vita	40/1	30/1	
9907050	CROSS-BAR ATTACHMENT FOR SKULL CLAMP	OPT 90 - 100	55							C+R
9907052	BACK PLATE FOR SHOULDER SURGERY	OPT 90 - 100	34							C+H
9907055	POSITIONING DEVICE FOR INTERVERTEBRAL DISC PROCEDURE	OPT 90 - 100	53							L
9907057	POSITIONING DEVICE FOR INTERVERTEBRAL DISC PROCEDURE		53	•	•	•				L
9907058	CROSS-BAR ATTACHMENT FOR SKULL CLAMP		55	•	•	•	•			C+R
9907059	ARCH-SHAPED DEVICE FOR COSTAL EDGE TRACTION		19	•	•	•	•			R
9907061	BACK PLATE FOR SHOULDER SURGERY		34	•	•	•				C+H
9907061P	BACK PLATE FOR SHOULDER SURGERY		34	•	•	•	•			C+H
9907065	BACK PLATE FOR SHOULDER SURGERY		34					•		C+H
9907067	FLEXIBLE SUPPORT FOR ANAESTHESIA TUBES		11	•	•	•	•	•	•	R
9907071	BACK PLATE FOR SHOULDER SURGERY		34	•	•	•				C+H
9907071P	BACK PLATE FOR SHOULDER SURGERY		34	•	•	•				C+H
9907072	LIGHT SHOULDER ARTHROSCOPY DEVICE	OPT 20 - 80	37	•	•	•	•	•	•	R
9907075	FOLDABLE KNEE ARTHROSCOPY DEVICE		40	•	•	•	•	•	•	R
9907079	SLIDING POSITIONER FOR KNEE PROTHESIS		40	•	•	•	•	•	•	R
9907080	SLIDING POSITIONER FOR KNEE PROTHESIS		40	•	•	•	•	•	•	R
9907082	RADIOLUCENT SPINAL FRAME		53	•	•	•	•	•	•	R
9908001	STERNAL - BACK SUPPORT		16	•	•	•	•	•	•	C
9908002	BACK BUTTOCKS SUPPORT		16	•	•	•	•	•	•	C
9908003	BUTTERFLY-SHAPED CHEST SUPPORT		16	•	•	•	•	•	•	C
9908004	CHEST SUPPORT		17	•	•	•	•	•	•	C
9908005	SACRAL SUPPORT		17	•	•	•	•	•	•	C
9908006	PUBIS SUPPORT		17	•	•	•	•	•	•	C
9908009	UNIVERSAL LATERAL SUPPORT		15	•	•	•	•	•	•	C+R
9908019	UNIVERSAL LATERAL SUPPORT		15	•	•	•	•	•	•	C+R
9908020	CYLINDRICAL LATERAL SUPPORT		17	•	•	•	•	•	•	C
9908021	FLAT SIZE BODY SUPPORT		18	•	•	•		•	•	R
9908021P	FLAT SIZE BODY SUPPORT		18	•	•	•	•	•	•	R
9908022	UNIVERSAL LATERAL SUPPORT		16	•	•	•	•	•	•	C+R
9908026	BACK BUTTOCKS SUPPORT		16	•	•	•	•	•	•	C
9908027	HIP PROTHESIS POSITIONING DEVICE		38	•	•	•	•	•	•	R
9908029	LATERAL SUPPORT FOR SHOULDER SURGERY		35	•	•	•	•	•	•	R
9909002	HAND SURGERY TABLE		38	•	•	•	•	•	•	R
9909004	HAND SURGERY TABLE		38	•	•	•	•	•	•	R
9909008	PAIR OF ADJUSTABLE FEET SUPPORTS		15	•	•	•	•	•	•	R
9909009	SLIDING ROLLER SUPPORT FOR KNEE PROTHESIS		40	•	•	•	•	•	•	R
9909013	HEIGHT ADJUSTABLE PLATE FOR HUMERUS SURGERY		36	•	•	•	•	•	•	R
9909014	ARM AND HAND SURGERY TABLE		38	•	•	•	•	•	•	R
9909015	ARM AND HAND SURGERY TABLE		38	•	•	•	•	•	•	R
9909016	ADJUSTABLE PLATE FOR HUMERUS AND ARM SURGERY		36	•	•	•	•	•	•	R
9910002	INSTRUMENT TRAY		19	•	•	•	•	•	•	C+R
9911005	FLOOR MOBILE FRAME		27	•	•	•	•	•	•	
9911012	FRAME FOR INSTRUMENT TRAY OR T.U.R. DRAINAGE SET		26	•	•	•	•	•	•	C+R
9911013	PERINEAL INSTRUMENT TRAY		26	•	•	•	•	•	•	C+R

Code	Description	Other OPT Tables	Page	Compatibility						NOTE
				Vanto	Asso	Century	Vita	40/1	30/1	
9911202	UROLOGICAL PAN/T.U.R. DRAINAGE SET		27	•	•	•	•	•	•	C+R
9912001	ANKLE LEATHER CUFFS (PAIR)		44	•	•	•	•	•	•	C
9912002	ANKLE LEATHER CUFFS (PAIR)		44	•	•	•	•	•	•	C
9912003	ANKLE LEATHER CUFFS (PAIR)		44	•	•	•	•	•	•	C
9913002	SINGLE LEG SUPPORT		19	•	•	•	•	•	•	C+R
9914001	BODY/LEG STRAP		7	•	•	•	•	•	•	R
9914005	SINGLE LEG STRAP		7	•	•	•	•	•	•	R
9914008	BODY/LEG STRAP		7	•	•	•	•	•	•	R
9914009	BODY/LEG STRAP	OPT 20 - 90 - 100	7	•	•	•	•	•	•	R
9914011	SINGLE LEG STRAP		8	•	•	•	•	•	•	R
9914012	BODY / LEG STRAP WITH VELCRO CLOSURE	OPT 20 - 90 - 100	7	•	•	•	•	•	•	R
9914013	PADDED BODY STRAP	OPT 20 - 90 - 100	35	•	•	•	•	•	•	R
9915001	LEATHER WRISTLET		8	•	•	•	•	•	•	R
9915002	WRIST SUPPORT		8	•	•	•		•	•	R
9915002P	WRIST SUPPORT		8	•	•	•	•	•	•	R
9915003	LEATHER WRISTLET		8	•	•	•	•	•	•	R
9915004	ARM PROTECTOR		8	•	•	•	•	•	•	R
9915005	LEATHER WRISTLET		8	•	•	•	•	•	•	R
9915006	ARM PROTECTOR		8	•	•	•	•	•	•	R
9916002	INFUSION ROD		9	•	•	•	•	•	•	R
9918003	TRACTION BOOT (SINGLE)		44	•	•	•	•	•	•	C
9918004	TRACTION BOOT (SINGLE)		44	•	•	•	•	•	•	C
9918005	TRACTION BOOT (SINGLE)		44	•	•	•	•	•	•	C
9919001	ELONGATION BAR		44	•	•	•	•	•	•	R
9919003	ELONGATION BAR		44	•	•	•	•	•	•	R
9920001	ACCESSORIES' TROLLEY		20	•	•	•	•	•	•	
9920003	UNILATERAL STAINLESS STEEL ACCESSORIES TROLLEY		21	•	•	•	•	•	•	
9920006	BILATERAL STAINLESS STEEL ACCESSORIES TROLLEY		21	•	•	•	•	•	•	
9920016	TROLLEY FOR POSITIONING DEVICE FOR INTERVERTEBRAL DISC PROCEDURE	OPT 100	53							
9920017	TROLLEY FOR POSITIONING DEVICE FOR INTERVERTEBRAL DISC PROCEDURE	OPT 100	53							
9920020	TROLLEY FOR POSITIONING DEVICE FOR INTERVERTEBRAL DISC PROCEDURE	OPT 90	53							
9920022	TROLLEY FOR POSITIONING DEVICE FOR INTERVERTEBRAL DISC PROCEDURE		53	•						
9920026	CUBE TROLLEY FOR DISMOUNTED TRACTION DEVICE		48	•	•	•	•			
9920027	CLEANING TROLLEY FOR COLUMN	OPT 100	20							
9920028	CLEANING TROLLEY FOR COLUMN		20	•						
9920031	TROLLEY FOR POSITIONING DEVICE FOR INTERVERTEBRAL DISC PROCEDURE		53		•					
9920032	TROLLEY FOR POSITIONING DEVICE FOR INTERVERTEBRAL DISC PROCEDURE		53	•						
9920035	TROLLEY FOR POSITIONING DEVICE FOR INTERVERTEBRAL DISC PROCEDURE		53			•				
9920050S	PREPARATION FOR TROLLEYS FOR LOWER LIMBS TRACTION DEVICE TO BE USED WITH A SINGLE TRACTION ARM		47	•	•	•	•			C
9920051	COMPONENT STAND		21	•	•	•	•			
9920055	CUBE TROLLEY FOR DISMOUNTED CARBON FIBRE TRACTION DEVICE		48	•	•	•	•			

Code	Description	Other OPT Tables	Page	Compatibility						NOTE
				Vanto	Asso	Century	Vita	40/1	30/1	
9920070	TROLLEY FOR MOUNTED LOWER LIMBS TRACTION DEVICE		47	•	•	•	•			
9920071	TROLLEY FOR MOUNTED LOWER LIMBS TRACTION DEVICE		47	•	•	•	•			
9921002	CUSHION FOR DISC SURGERY		54	•	•	•	•	•	•	
9921009	SQUARE-SHAPED HEAD REST		52	•	•	•	•	•	•	
9921010	SQUARE-SHAPED HEAD REST		52	•	•	•	•	•	•	
9921013	CIRCULAR HEAD REST		53	•	•	•	•	•	•	
9921014	CIRCULAR HEAD REST		53	•	•	•	•	•	•	
9921015	TUNNEL CUSHION		18	•	•	•	•	•	•	
9921016	WEDGE-SHAPED PAD		18	•	•	•	•	•	•	
9921018	SEMICIRCULAR CUSHION		18	•	•	•	•	•	•	
9921019	CENTRAL VANTO CUSHION WITH COUNTERTRACTION DEVICE		20	•						C
9922002	X-RAY CASSETTE HOLDER		30	•	•	•	•	•	•	R
9923020	RIGID TRACTION DEVICE WITH STIRRUP		47	•	•	•	•	•	•	C
9923045	REMOVABLE TRACTION STANDING DEVICE LEG/BAR		45	•	•	•	•			C
9923046	LOWER LIMBS TRACTION DEVICE	OPT 20	41					•	•	L
9923047	SINGLE TRACTION ARM		43					•	•	C+L
9923048	TROLLEY FOR MOUNTED TRACTION DEVICE TYPE HIGH	OPT 20	47					•	•	
9923049	SCREW TENSION DEVICE		43					•	•	C
9923051	TRUNCH AND THORAX PLASTER DEVICE		41	•	•	•	•			H
9923052	LOWER LIMBS TRACTION DEVICE TYPE HIGH		42	•	•	•				L
9923052P	LOWER LIMBS TRACTION DEVICE TYPE HIGH WITH VISCOELASTIC CUSHIONS		42	•	•	•	•			L
9923053	SINGLE TRACTION ARM		43	•	•	•	•			C+L
9923055	RADIOLUCENT PELVIS SURGERY DEVICE		46	•	•	•	•			L
9923057	PELVIS PLASTER DEVICE	OPT 90 - 100	41	•	•	•	•			C+L
9923058	CARBON FIBRE HIP PROTHESIS DEVICE	OPT 90 - 100	40							C+L
9923060	LOWER LIMBS TRACTION DEVICE TYPE HIGH	OPT 90 - 100	42							L
9923061	TRUNCH AND THORAX PLASTER DEVICE	OPT 20	41					•	•	H
9923062	STIRRUP TRACTION DEVICE		46	•	•	•	•	•	•	C+R
9923063	CERVICAL RACHIS TRACTION DEVICE		54	•	•	•	•	•	•	C+H
9923064	PAIR OF TRACTION LEG SUPPORTS		43					•	•	C+L
9923065	RADIOLUCENT CARBON FIBRE LOWER LIMBS TRACTION DEVICE		42	•	•	•	•			C+L
9923066	CARBON FIBRE ROTATED TRACTION BAR		42	•	•	•	•			C+L
9923067	PAIR OF TRACTION LEG SUPPORTS		43	•	•	•	•			C+L
9923069	CARBON FIBRE HIP PROTHESIS DEVICE		40	•	•	•				L
9923071	PELVIC - PODALIC ACCESSORY		41	•	•	•	•			C+L
9923074	REMOVABLE TRACTION STANDING DEVICE		44	•						C
9923075	PELVIC - PODALIC ACCESSORY	OPT 90 - 100	41							L
9923077	SCREW TENSION DEVICE WITH HORIZONTAL ADJUSTMENT		43	•	•	•	•			C
9923078	COUNTERTRACTION DEVICE FOR BARIATRIC SURGERY		46	•	•	•	•			L
9923079	PELVIC - PODALIC ACCESSORY	OPT 20	41					•	•	L
9924021	PATIENT HANDLE FOR GYNAECOLOGY (SINGLE)		27	•	•	•	•	•	•	R
9924024	SUPPORTING BAR FOR HEAD RESTS		34-50	•	•	•	•	•	•	C+H

Code	Description	Other OPT Tables	Page	Compatibility						NOTE
				Vanto	Asso	Century	Vita	40/1	30/1	
9924026	L-SHAPED COUNTER TRACTION AND PELVIS SUPPORT POST		45	•	•	•	•	•	•	C+L
9924027	TIBIA NAILING DEVICE		46	•	•	•	•	•	•	C+L
9924704	CYLINDRICAL CUSHION FOR HIP ARTHROSCOPY		45	•	•	•	•	•	•	C
9925009	SQUARE SECTION ADAPTER FOR HEAD REST	OPT 70A - 80A - 90 - 100	50							C+H
9925010	SQUARE SECTION ADAPTER FOR HEAD REST	OPT 20 - 30	50						•	C+H
9925012	ADAPTER FOR ALLOY SKULL CLAMP	OPT 70A - 80A - 90 - 100	55							C+H
9925013	SQUARE SECTION ADAPTER FOR HEAD REST	OPT 70 - 80 type B-C-D	50							C+H
9925014	ADAPTER FOR ALLOY SKULL CLAMP	OPT 70 - 80 type B-C-D	55							C+H
9925016	ADAPTER FOR ALLOY SKULL CLAMP	OPT 20 - 30	55						•	C+H
9925024	SQUARE SECTION ADAPTER FOR HEAD REST	OPT 40	50					•		C+H
9925025	ADAPTER FOR ALLOY SKULL CLAMP	OPT 40	55					•		C+H
9925027	MEDACTA ADAPTER	OPT 90 - 100	39	•	•	•	•			L
9925052	ADAPTER FOR HEAD REST		50	•	•	•	•			C+H
9925053	ADAPTER FOR ALLOY SKULL CLAMP		55	•	•	•	•			C+H
9925054	ADAPTER FOR ALLOY SKULL CLAMP		55	•	•	•	•			C+H
9928003	RAILING LATERAL EDGE (SINGLE)		11	•	•	•	•	•	•	R
9929003	FRAME FOR X-RAY CASSETTES		30	•	•	•	•	•	•	C
9930033	CUSHION FOR DISC SURGERY		54	•	•	•	•	•	•	
9933014	PLATE WITH SIDE RAIL FOR VASCULAR TABLE TOP OPT 40/1	OPT 90 - 100	31					•		
9933015	PLATE WITH SIDE RAILS FOR CARBON FIBRE SECTIONS		31	•	•	•	•	•	•	
9933023	PLATE WITH SIDE RAIL FOR VANTO VASCULAR TABLE TOP AND XY TABLE TOP		31	•						
99070770	OPT ARM		37	•	•	•	•	•	•	R
9907077D	ARM SUPPORT SURGERY TABLE FOR OPT ARM		37	•	•	•	•	•	•	C
9907077E	COUNTERTRACTION ARM FOR OPT ARM		38	•	•	•	•	•	•	C
9907077S	DISPOSABLE KIT FOR OPT ARM		37	•	•	•	•	•	•	C
C3101611	ALLOY SKULL CLAMP		55	•	•	•	•	•	•	C+H
C3101613	ADULT HORSESHOE HEADREST		56	•	•	•	•	•	•	C+H
C3101614	ADULT REUSABLE SKULL PIN		56	•	•	•	•	•	•	C+H
C3101615	CHILD REUSABLE SKULL PIN		56	•	•	•	•	•	•	C+H
C3102321	ULTRA BASE UNIT		56	•	•	•	•	•	•	C+H
C3102323	SWIVEL ADAPTOR		57	•	•	•	•	•	•	C+H
C3102610	PAEDIATRIC HORSESHOE REST		57	•	•	•	•	•	•	C+H
C3102912	OPERATING TABLE PAD		62	•	•	•	•	•	•	
C3102981	OPERATING TABLE PAD		62	•	•	•	•	•	•	
C3102990	ARMBOARD PAD		62	•	•	•	•	•	•	
C3103049	OPERATING TABLE PAD		62	•	•	•	•	•	•	
C3103057	OPERATING TABLE PAD WITH PERINEAL CUT		62	•	•	•	•	•	•	
C3103060	OPERATING TABLE PAD		62	•	•	•	•	•	•	
C3103127	CLOSED HEAD RING		60	•	•	•	•	•	•	
C3103128	OPEN HEAD RING		60	•	•	•	•	•	•	
C3103130	CHEST ROLL		60	•	•	•	•	•	•	

Code	Description	Other OPT Tables	Page	Compatibility						NOTE
				Vanto	Asso	Century	Vita	40/1	30/1	
C3103139	CLOSED HEAD RING		60	•	•	•	•	•	•	
C3103140	PRONE HEAD REST		60	•	•	•	•	•	•	
C3103143	ARMBOARD PAD		61	•	•	•	•	•	•	
C3103144	UNIVERSAL PATIENT POSITIONER		61	•	•	•	•	•	•	
C3103145	UNIVERSAL PATIENT POSITIONER		61	•	•	•	•	•	•	
C3103158	OPERATING TABLE PAD		62	•	•	•	•	•	•	
C3103159	OPEN HEAD RING		60	•	•	•	•	•	•	
C3103160	PAIR OF HEEL GEL SUPPORT		60	•	•	•	•	•	•	
C3103161	CHEST ROLL		60	•	•	•	•	•	•	
C3103162	ARMBOARD PAD		61	•	•	•	•	•	•	
C3103178	CLOSED HEAD RING		60	•	•	•	•	•	•	
C3103179	CONTOURED HEADREST		61	•	•	•	•	•	•	
C3103180	OPEN HEAD RING		60	•	•	•	•	•	•	
C3103181	PRONE HEAD REST		60	•	•	•	•	•	•	
C3103182	HEAD PAD		61	•	•	•	•	•	•	
C3103183	OPERATING TABLE PAD		62	•	•	•	•	•	•	
C3103184	OPERATING TABLE PAD		62	•	•	•	•	•	•	
C3103185	OPERATING TABLE PAD		62	•	•	•	•	•	•	
C3103186	OPERATING TABLE PAD		62	•	•	•	•	•	•	
C3103188	WILSON FRAME PAD		61	•	•	•	•	•	•	
C3103194	BOOT STIRRUP PAD		62	•	•	•	•	•	•	
C3103197	CHEST ROLL		60	•	•	•	•	•	•	
C3103375	UNIVERSAL PATIENT POSITIONER		61	•	•	•	•	•	•	
C3103376	UNIVERSAL PATIENT POSITIONER		61	•	•	•	•	•	•	
C3103377	GOEPEL KNEE CRUTCH PAD		62	•	•	•	•	•	•	
C3103400	RADIOLUCENT SPINAL FRAME TYPE WILSON		53	•	•	•	•	•	•	R
C3103728	CARBON FIBRE RADIOLUCENT HEAD REST SYSTEM		57	•	•	•	•	•	•	R
C3103740	CHEST ROLL		60	•	•	•	•	•	•	
C3103746	ULTRA BASE UNIT		56	•	•	•	•	•	•	C+H
C3103747	ALLOY SKULL CLAMP		55	•	•	•	•	•	•	C+H
C3103748	SWIVEL ADAPTOR		57	•	•	•	•	•	•	C+H
C3103749	ADULT REUSABLE SKULL PIN		56	•	•	•	•	•	•	C+H
C3103750	CHILD REUSABLE SKULL PIN		56	•	•	•	•	•	•	C+H
C3103751	CARBON FIBRE RADIOLUCENT HEAD REST SYSTEM		57	•	•	•	•	•	•	R
C3103785	ADULT HORSESHOE HEADREST		56	•	•	•	•	•	•	C+H
C3103786	VACUUM MATTRESS		12	•	•	•	•	•	•	
C3103787	PLASTIC LIFT PUMP FOR VACUUM MATTRESS		12	•	•	•	•	•	•	
C3103806	VACUUM MATTRESS		12	•	•	•	•	•	•	
C3103813	VACUUM MATTRESS		12	•	•	•	•	•	•	
C3103821	PAEDIATRIC HORSESHOE REST		57	•	•	•	•	•	•	H
C3103841	CONTROL UNIT FOR TRANSLUCENT HEATING PAD		12	•	•	•	•	•	•	
C3103842	X-RAY TRANSLUCENT HEATING PAD		12	•	•	•	•	•	•	



OPT SurgiSystems S.r.l.

TKB Group, Tokyo, Japan

Via Cesare Battisti, 17 - 38060 CALLIANO (TN) – ITALY

Tel. +39 0464 834336 - Fax +39 0464 835142

www.opt-ita.com

*OPT SurgiSystems S.r.l. reserves the right to make technical modification without prior notice
May 2017 Edition*

